

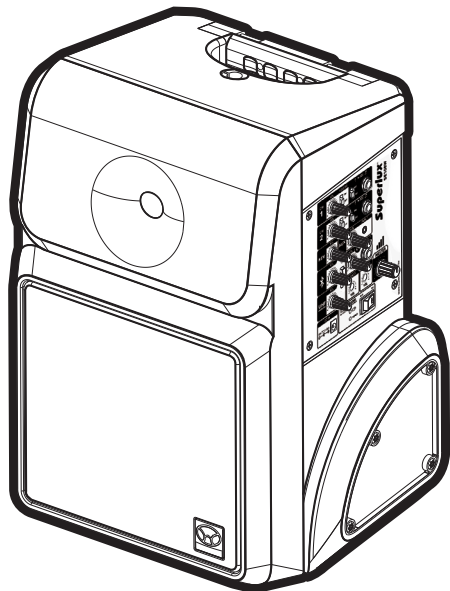
Superlux®

多功能便携式音箱

SE108

SE108W

使用说明书



中国地区 SE108 服务专线
150-0087-2738

www.superlux.com.tw

技术参数

- 驱动单元: 低音: 8" (20.32 cm) / 高音: 1" (2.54 cm)
- 功率: 40W
- 频率响应 (-10dB): 55-20kHz
- 输入灵敏度: 麦克风: -38dBu / 线性输入: 0dBu
- 最大峰值音压: 110dB SPL
- 分频点: 4kHz
- 输入: 6.3mm 线性输入 麦克风, 3.5mm AUX IN 音频输入
- 阻抗: 麦克风 =1.65K, 线性输入 =22.5K
- 材质: PP
- 输出: 耳机输出
- RMS 输出功率: 40W/4Q (@ THD<1% at 1kHz)
- 总谐波失真: ≤ 0.3% @20-20,000Hz, +14 dBu
- 电池: 12V/7.5AH (内含适配器)
- 尺寸 (HxWxD): 441 x 330 x 262 mm
- 重量: 10KG

保养维护 在对本设备进行清洁时, 请务必切断电源。

小心操作

- 不要将你的手指或手插入调音面板上端口的任何缝隙或开口。
- 避免将外部杂物 (纸张、塑料、金属等) 插入或掉入调音面板上的任何缝隙或开口处和音箱端口。如果发生这种情况, 请立即关闭电源。
- 请勿将身体压在本设备上或在其上放置重物。操作按钮、开关或插口时要避免过分用力。
- 请勿长时间持续在过高的音量下使用耳机, 否则可能会造成永久性听力损害。如果遇到失聪或耳鸣的情况, 请寻求医治。
- 如果声音失真, 请勿使用本设备。在这种状态下继续使用可能会造成设备过热并引起损坏, 建议重新调整设备。
- 不要拖拽任何已连接连接线, 比如话筒线。否则可能造成音箱倾倒摔落, 导致设备损坏或人身意外伤害。

请在操作使用前, 首先仔细阅读下述内容
* 请将本说明书存放在安全的地方, 以便将来随时参阅。

! 注意事项

警告

为了避免因触电、短路、损伤、火灾或其它危险可能导致的严重受伤甚至死亡, 请务必遵守下列基本注意事项。这些注意事项包括但不限于下列情况

电源 / 电源线

- 请勿将电源线放在热源如加热器或散热器附近, 不要过分弯折或损伤电源线, 不要在其上加压重物, 不要将其放在可能被踩踏引起绊倒或可能被碾压的地方。
- 只能使用附带的电源线 / 插头。
- 定期检查电源插头, 擦除插头上积起来的脏物或灰尘。

其上, 否则可能会导致液体溅入任何开口。如果水等任何液体渗入本设备, 请立即切断电源。然后请与 Superlux 代理商联系咨询。
· 切勿用湿手插拔电源线插头。

火警

- 请勿在设备上放置燃烧着的物体, 比如蜡烛。燃烧的物体可能会倾倒并引发火灾。

请勿打开

- 除电池可以自行更换外。请勿打开本设备或试图拆卸其内部零件或进行任何方式的改造。若出现异常, 请立即停止使用, 并请向 Superlux 代理商联系咨询。

当意识到任何异常情况时

- 当出现以下任何一种问题时, 请立即关闭电源开关并从电源插座中拔出电源线插头。然后请向 Superlux 代理商咨询。
- 散发出异常气味或冒烟。
- 当物体掉入设备中。
- 使用设备过程中声音突然中断。

关于潮湿警告

- 请勿让本设备淋雨或在水附近及潮湿环境中使用, 或将盛有液体的容器 (如花瓶、瓶子或玻璃杯) 放在

为避免本产品可能受到的损坏或发生故障, 请注意下列事项。

操作和维护

- 为了避免操作面板发生变形、不稳定操作或损坏内部元件, 请勿将本设备放在有大量灰尘、震动、极端寒冷或炎热 (如阳光直射、靠近加热器或烈日下的汽车里) 的环境中。
- 请勿在设备上放乙烯或塑料或橡胶物体, 否则可能使面板褪色。
- 清洁设备时, 使用柔软的干布。请勿使用涂料稀释剂、溶剂、清洁剂或浸了化学物质的抹布。
- 请勿将任何均衡器和 VOL 音量设定在最大位置。否则, 根据所连接设备的具体状态, 可能会导致反馈而损坏音箱。

电池充电 第一次使用前, 务必要充电 4 至 5 小时。

本机内建的充电电池为铅酸蓄电池 12V / 7.5Ah, 在出厂前是充满电状态, 但由于长距离运输或长时间库存等原因, 使得电池可能会自然放电, 造成电力不足。所以当您第一次使用前, 请务必先充电 4 至 5 小时。这项动作非常重要, 因为它保障了电池接下来的使用寿命。

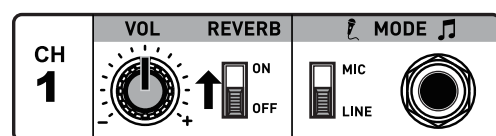
充电时, 请将随机附赠的电源适配器 DC 端插入 SE108 的 DC 输入 (DC IN) 座, 另一端接电源, 此时充电 LED 就会呈现红灯, 当电池充满后, 呈现绿灯。

* 长时间不使用时, 需每三个月充电一次, 以延长电池寿命

应用 REVERB 混响效果

本机内建有 REVERB 混响效果, 当演讲、唱歌或表演时, 可适当加入, 为您的人声演奏营造出一种不同的氛围

- 1 将 CH1 通道或 CH2 通道上的「REVERB」混响开关调整至「ON」位置。当混响开关开启时, 系统会将混响效果送至您已开启的通道。



- 2 使用「REVERB」混响的「VOL」音量控制旋钮可以调节混响效果量



连接蓝牙 请按照以下步骤将蓝牙设备和 SE108/SE108W 做配对

开启蓝牙:



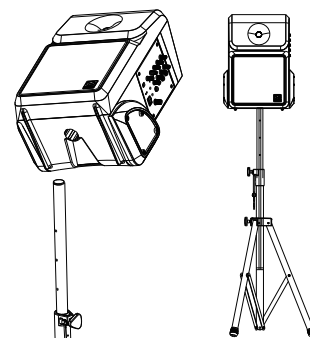
1. 轻按 BLUETOOTH 「PAIRING」一下, LED 灯快速闪烁
2. 开启手机或是其他设备的蓝牙, 并进行配对和连接
3. 当 LED 灯持续点亮时, 您可以开始播放您的蓝牙设备的音乐

如需切换蓝牙设备:

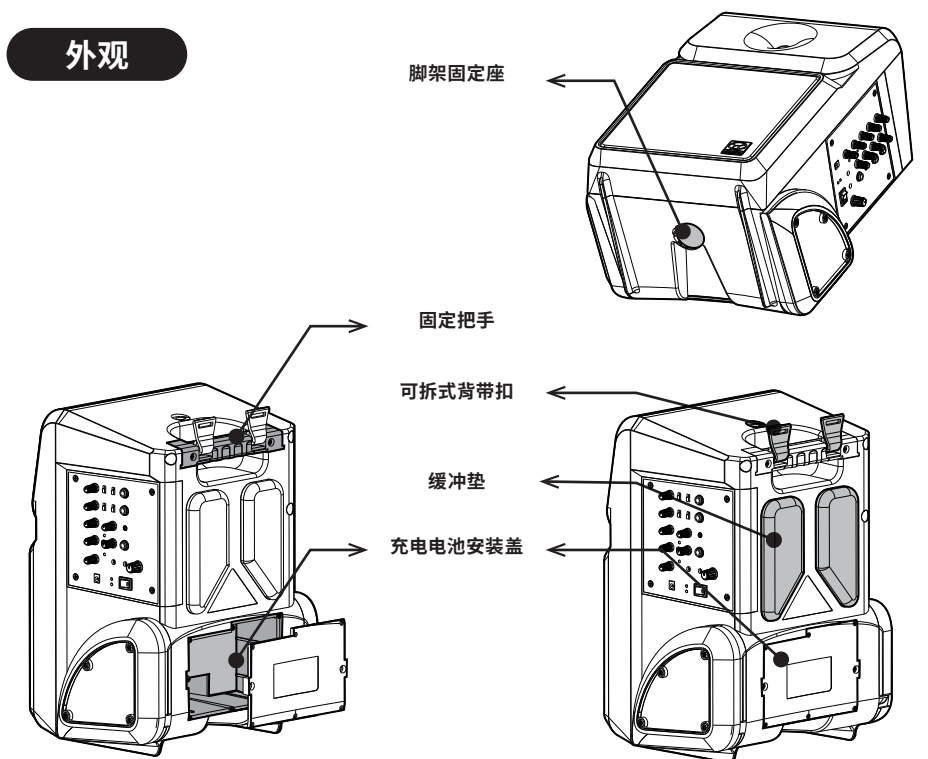


1. 按住 BLUETOOTH 「PAIRING」两秒, LED 灯快速闪烁
2. 开启手机或是其他设备的蓝牙, 并进行配对和连接
3. 当 LED 灯持续点亮时, 您可以开始播放您的蓝牙设备的音乐

将音箱安装到音箱架上



外观



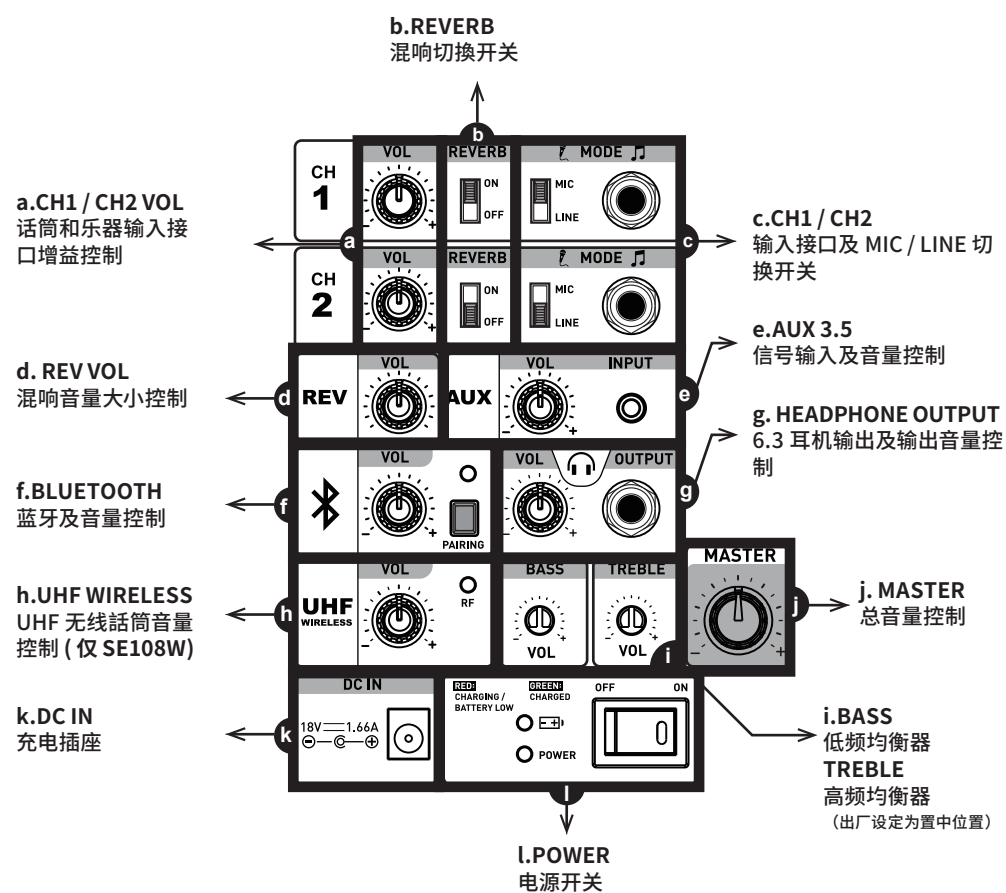
联络我们

中国地区营销和业务
旭广企业发展 (上海) 有限公司
021-69223756
shsales@superlux.com.tw
support_cn@superlux.com.tw

国际营销和业务

Superlux 舒伯乐 台湾
+886-2-26931323
sales@superlux.com.tw

控制面板旋钮及功能

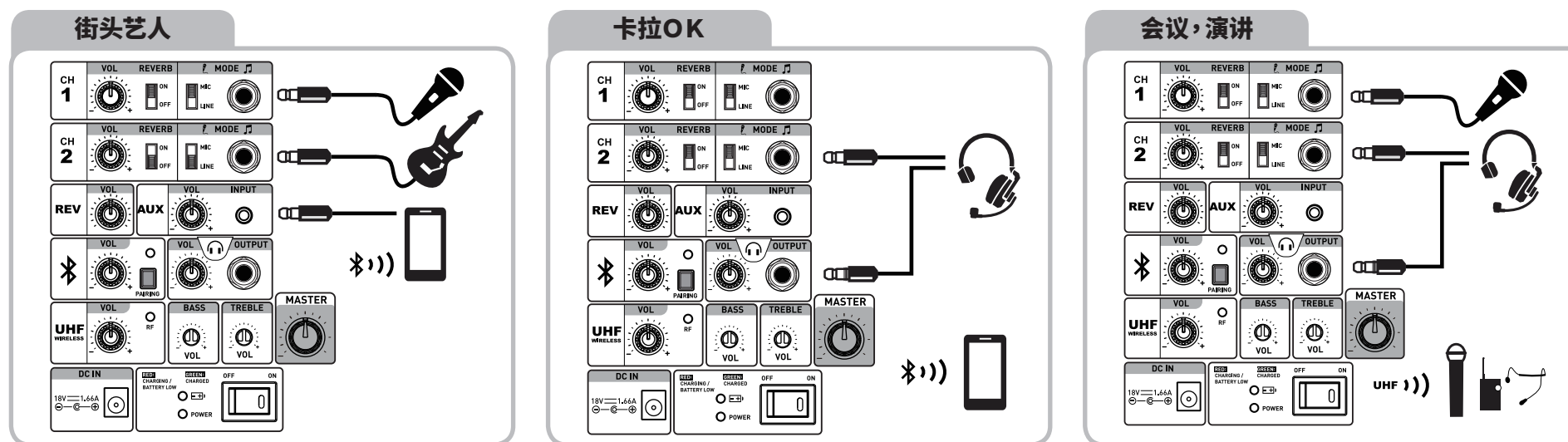


走到哪唱到哪 走到哪放到哪

SE108 克服了传统音箱固有的笨重属性,着重考虑便携性,并融入了背包元素。

内置无线话筒 (仅 SE108W),解放您的双手!同时融入了无线蓝牙技术,可与手机等设备连结,不受线材限制。

第一步:应用连接



特色

- 重量轻,着重考虑便携性,并融入了背包元素
- 方便使用,且操作简单
- 含耳机监听输出接口
- 具有 2 通道 TRS 插孔输入,及独立音量大小控制
- 内置蓝牙配对功能,使用蓝牙 4.1 协议,可以更方便的输入音源
- 具有 REVERB 混响效果
- 具有高低频均衡器,可调整高音与低音音质
- 内置 1 组 U 频无线麦克风。(仅 SE108W)
- 充电电池可连续使用 5 小时以上

可选配件

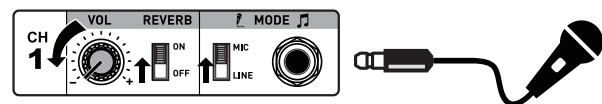
- TM58 手持有线动圈话筒
- HMD685aMKII 动圈式耳麦
- HM108 延伸臂架 (含手机夹)
- 防水音箱袋
- MS108E / BAG 话筒脚架
- 无线手持麦克风 UK6 (仅 SE108W)
- 无线腰包话筒 UK7 (仅 SE108W)
- 返监听音箱 SE02
- SPS400 音箱支架

快速指南

第二步:使用方式设置

将话筒,乐器和音频设备连接到 SE108 / SE108W

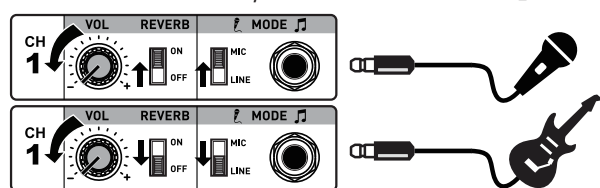
- 1 将需要的设备,如话筒或乐器插入输入口
(按照下图将各通道 VOL 音量调至最小)



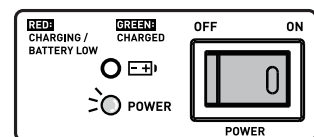
- 2 将 MAIN LEVEL CONTROL 总音量调至最小



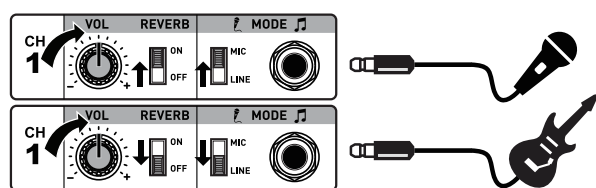
- 3 连接话筒时,请先将 MIC / LINE 开关设置到「MIC」
连接乐器时,请将 MIC / LINE 开关设置到「LINE」



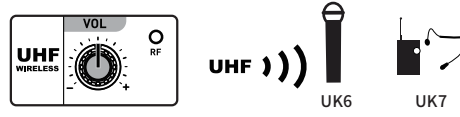
- 4 先打开已连接的音源 (如果有),然后打开 SE108/ SE108W 电源,电源 LED 灯会亮起



- 5 演奏乐器或是用话筒唱歌时,通过顺时针 (提高音量) 或逆时针 (降低音量) 调整每个通道的 VOL 音量 (建议将旋钮调整至 1/2 处)



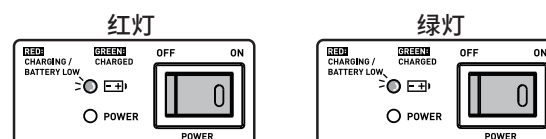
- 6 使用 UK6 / UK7 无线话筒时,请由无线麦克风控制旋钮调节音量大小。
(此功能为 SE108W)



- 7 通过调节 MAIN LEVEL CONTROL 总音量旋钮做最后的音量调整
如果声音和音量听起来匹配适当,设置即告完成



电池灯号指示



将电源打开时,Power 指示灯会亮绿灯
当电池状态灯变红,这表示电池电量已弱,必须充电

故障排除

电源不能打开

- ◆ 确认电池是否有足够的电量,或是否安全牢固地连接好了充电线?

听不到声音?

- ◆ POWER 指示灯是否有亮起? 确认电源是否开启或是电池是否有电量。
- ◆ 是否安全牢固地连接好输入连接线?
- ◆ 话筒,乐器和音频设备是否功能正常?

声音失真或发出噪音?

- ◆ 所有相关通道的 VOL 音量控制旋钮和 / 或 MASTER 总音量控制旋钮是否设置得高?
- ◆ 相应通道 MIC / LINE 的开关是否设置成 MIC 了? 如果来自声源的输入信号电平较高的情况下,将 MIC / LINE 开关设置为 LINE,可能造成失真声。请将开关设置为 LINE 位置。
- ◆ 所连接设备的音量是否太高? 降低外接设备的输出音量。

声音不够响?

- ◆ 所有相关通道的 VOL 音量控制旋钮和 / 或 MASTER VOL 音量控制旋钮是否设置得太低?
- ◆ 相应通道的 MIC / LINE 开关是否设置成了 LINE? 将 VOL 音量旋钮调整到最小 (零)。将开关设定到 MIC 位置,然后慢慢提升 VOL 音量旋钮。
- ◆ 所连接设备的音量是否太低? 提高外接设备的输出音量。

高音声音和低音声音不平衡

- ◆ 是不是均衡器提升或降低得太多了? 将均衡器设置到中心位置 (原厂设定已设置于中心位置)

电池损坏

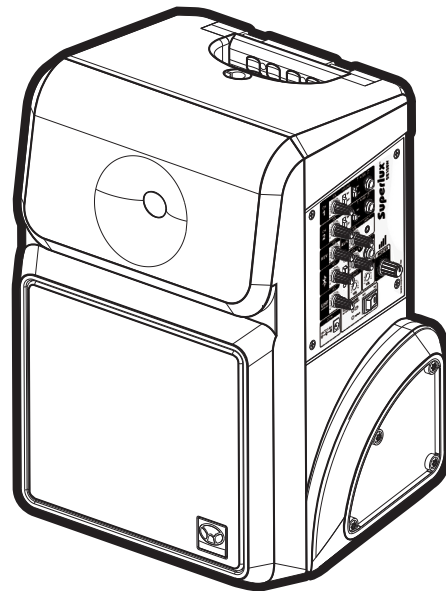
- ◆ 若电池太久无使用,或其他原因造成损坏,可将喇叭背部的电池安装盖打开,更换上新的铅酸电池 (12v 7.5Ah) 即可 (在安装时请注意正负极接点)

* 如果特定的问题依旧存在,请咨询 Superlux 经销商。

Superlux®

PORTABLE ENTERTAINMENT SYSTEM

SE108
SE108W



www.superlux.com.tw

USER MANUAL

Recharge the battery

Please recharge the battery for 4 to 5 hours before first use.

Please recharge the battery before first use. The built-in lead-acid battery is 12V/7.5Ah, please recharge the battery for 4 to 5 hours before first use.

Tough the battery will be fully charged before leaving the factory, the battery might be discharged due to the long distance transportation or the long storing time to cause the low level of the battery. Please recharge the battery to full level before first use in order to have the longer uselife of the battery.

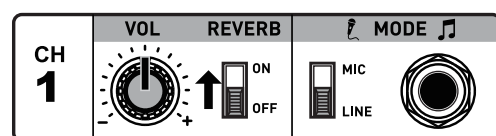
When recharge, please connect the DC jack of the furnished adaptor to the DC IN socket of the SE108 speaker, and connect the AC jack of the adaptor to the AC socket of the SE108 speaker.

The red LED lights up when charging and turn to green light when fully charged.

Applying Reverb

SE108/SE108W features a built-in reverb processor. Applying reverb processor can add a different atmosphere for your vocals

- 1 Switch the Reverb switch to "ON" position. Then the Reverb effect can be applied onto the indicated channel.



2



Use the REVERB control to adjust the level of the reverb to the corresponding channel.

Specifications

- **Driver:** LF: 8" / HF: 1" compression driver
- **LF Power Amp:** 40W
- **Frequency Response(-10dB):** 55-20kHz
- **Input Sensitivity:** Mic: -38dBu / Line: 0dBu
- **Max. Peak SPL:** 110 dB SPL
- **Crossover:** 4k Hz
- **Input :** 6.3mm LINE IN & MIC, 3.5mm AUX IN
- **Impedance:** MIC=1.65K / LINE=22.5K
- **Enclosure Material:** PP
- **Output:** Headphone out
- **RMS Output Power:** 40W/4Ω (@THD<1% at 1KHz)
- **Total Harmonic Distortion:** ≤0.3% @20-20,000Hz, +14 dBu
- **Charging Requirement:** 12V / 7.5AH (Charger included)
- **Dimensions (HxWxD):** 441 x 330 x 262mm
- **NET Weight:** 10KG

Maintenance

Remove the power plug from the AC outlet when cleaning the device

HANDLING CAUTION

- Do not insert your fingers or hands in any gaps or openings on the vents or panel of the mixer and the ports of the speaker.
- Avoid inserting or dropping foreign objects (paper, plastic, metal, etc.) into any gaps or openings on the vents or panel of the mixer and the ports of the speaker. If this happens, turn off the power immediately.
- Do not rest your weight on the device or place heavy objects on it, and avoid use excessive force on the buttons, switches or connectors.
- Do not use the speakers for a long period of time at a hight or uncomfortable volume level, since this can cause permanent hearing loss. If you experience any hearing loss or ringing in the ears, consult a physician.
- Do not operate the device if the sound is distorting. Prolonged use in this condition could cause overheating and result in fire.
- Do not pull on any attached cable, such that of a microphone. Doing so may cause the speaker to topple, and result in damage or in injury.

Bluetooth wireless connection

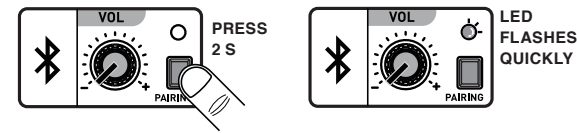
To pair a Bluetooth wireless technology device with SE108/SE108W, follow these steps

When turn on Bluetooth:



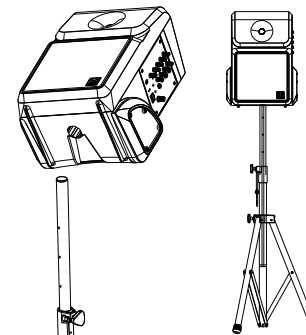
1. Press the BLUETOOTH PAIRING button, the LED flashes quickly.
2. Active Bluetooth Wireless function in your mobile phone or other devices for pairing and connection.
3. When the LED lights up continuously, you can start to playing music from your Bluetooth wireless device.

When need to change Bluetooth devices:



1. Press the BLUETOOTH PAIRING button for around 2 seconds, then the LED flashes quickly.
2. Active Bluetooth Wireless function in your mobile phone or other devices for pairing and connection.
3. When the LED lights up continuously, you can start to play music from your Bluetooth wireless device.

Attaching a speaker to a speaker stand.



! PRECAUTIONS

WARNING

Always follow the basic precautions listed below to avoid the possibility of serious injury or even death from electrical shock, short-circuiting, damages, fire or other hazards. These precautions include, but are not limited to, the following:

Power supply / Power cord

- Do not place the power cord near heat sources such as heaters or radiators, and do not excessively bend or otherwise damage the cord, place heavy objects on it, or place it in a position where anyone could walk on, trip over, or roll anything over it.
- Use only the supplied power cord.
- Check the electric plug periodically and remove any dirt or dust which may have accumulated on it.

Do not open

- This device contains no user-serviceable parts. Do not open the device attempt to disassemble the internal parts or modify them in any way. If it should appear to be malfunctioning, discontinue use immediately and have it inspected by qualified Superlux service personnel.

Water warning

- Do not expose the device to rain, use it near water or in damp or wet conditions, or place on it

any containers (such as vases, bottles or glasses) containing liquids which might spill into any openings. If any liquid such as water seeps into the device, turn off the power immediately and unplug the power cord from the AC outlet. Then have the device inspected by qualified Superlux service personnel.

- Never insert or remove an electric plug with wet hands.

Fire warning

- Do not put burning items, such as candles, on the unit. A burning item may fall over ad cause a fire.

If you notice any abnormality

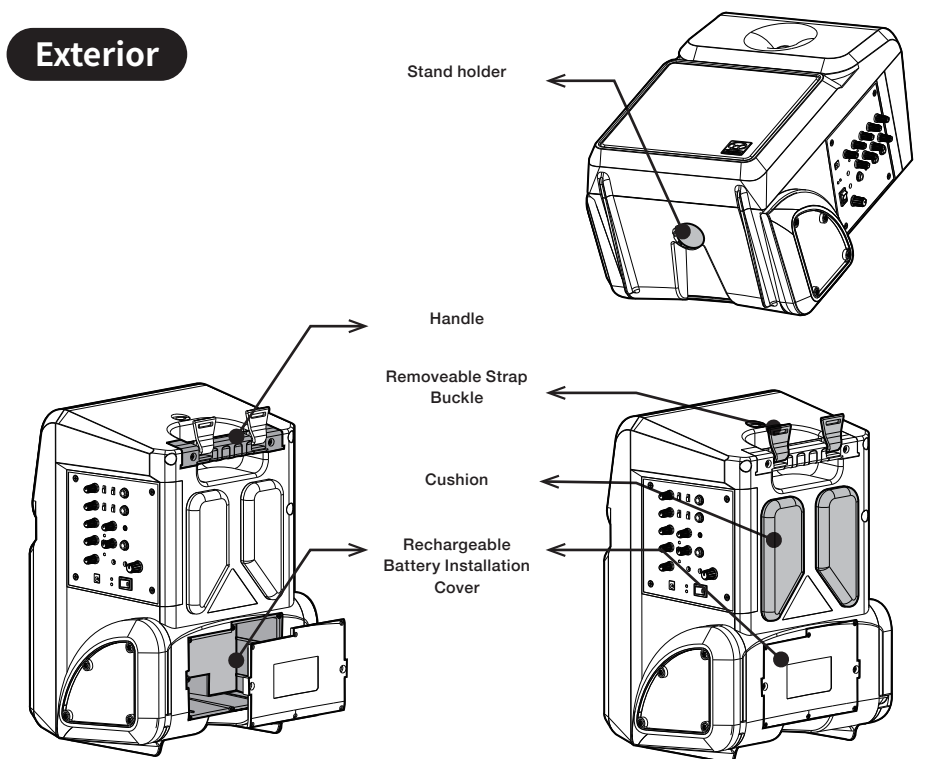
- When one of the following problems occur, immediately turn off the power switch and disconnect the electric plug from the outlet. Then have the device inspected by Superlux service personnel.
 - It emits unusual smells or smoke.
 - Some object has been dropped into the instrument.
 - There is a sudden loss of sound during use of the device.

Notice To avoid the possibility of malfunction or damage to the product, follow the notices below.

Handling and Maintenance

- Do not expose the device to excessive dust or vibration, or extreme cold or heat (such as in direct sunlight, near a heater, or in a car during the day), in order to prevent the possibility of panel discoloration, unstable operation, or damage to the internal components.
- Do not place vinyl, plastic or rubber objects on the device, since this might discolor the panel.
- When cleaning the device, use a dry and soft cloth. Do not use paint thinners, solvents, cleaning fluids, or chemical- impregnated wiping cloths.
- Avoid setting all equalizer controls and LEVEL knobs to their maximum. Depending on the condition of the connected devices, doing so may cause feedback and may damage the speakers.

Exterior



Contact us

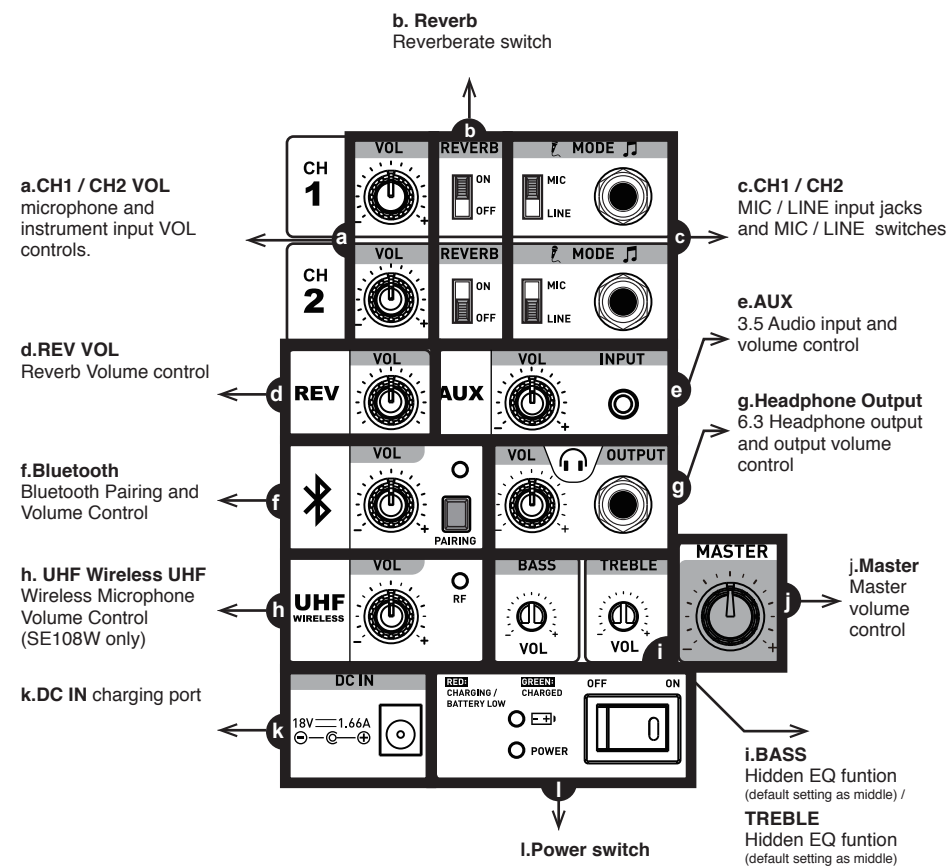
Marketing and sales

Superlux Taiwan
+886-2-26931323
sales@superlux.com.tw
support@superlux.com.tw

Manufacturing & logistics

Superlux Enterprise
Development (Shanghai) Co., Ltd

Control panel knobs and functions



MUSIC ON THE GO...ANYWHERE

SE108 overcomes the bulky characteristic of the traditional speakers and provides ultra portability. The backpack element of SE108 fully reflects its personality and the design concepts.

The built-in wireless microphone system and Bluetooth technology will free your hands and provide easy connection with any devices without constraints of cables.

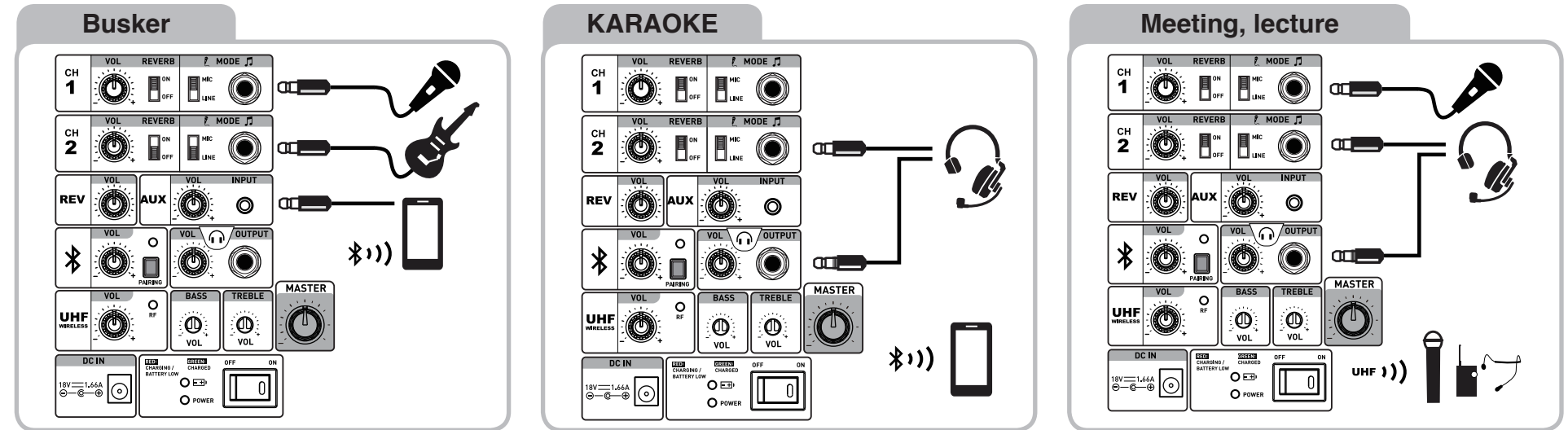
Features

- Light-weighted and easy portability. Backpack aesthetic design.
- Easy to use and operate.
- With headphone monitor output jack.
- With two TRS jack inputs and separate volume control
- Built-in Bluetooth function. Bluetooth 4.1 technology for more convenient music input connection.
- With REVERB function
- The two-stage hidden EQ can adjust the treble and bass sound quality perfectly.
- Furnished with a U channel wireless microphone (only SE108W version)
- Battery use for more than 5 hours

Optional Accessories

1. TM58 handheld wired dynamic microphone
2. HMD685aMKII headset with incorporated dynamic microphone
3. HM108 extension boom arm (with phone clip)
4. Waterproof bag for speaker
5. MS108E/BAG microphone stand
6. Handheld Wireless Microphones UK6 (only SE108W version)
7. Headworn Microphones UK7 (only SE108W version)
8. Monitor Speakers SE02
9. SPS400 Speaker stand

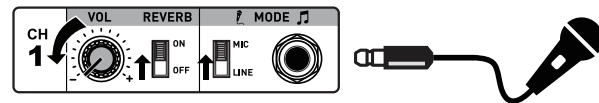
Step 1: Applications



QUICK GUIDE Step 2: Settings

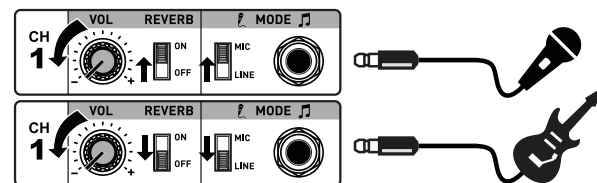
Connect the microphone, instrument and audio equipment to the SE108 / SE108W

- 1 Connect the microphone or instrument to the input jack (turn each channel to the minimized level or closed as shown in the following figure)

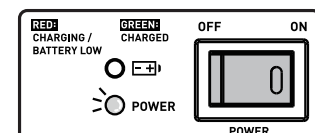


- 2 Set the Main Level Control knob to the minimum level

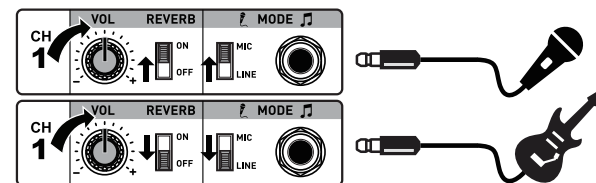
- 3 When connect to the MIC please turn [Mic/Line] switch to MIC. When connect to the instrument please turn [Mic/Line] switch to LINE.



- 4 Turn on the music player first (if the music input is needed during use) and turn on the SE108 / SE108W power supply LED will light up



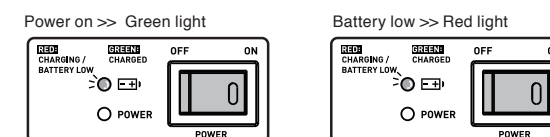
- 5 When playing the musical instrument or using the microphone, adjust the level of each channel by turning the volume knob clockwise (increase the volume) or counterclockwise (decreasing the volume)



- 6 When using the UK6 / UK7 wireless microphone, adjust the volume level by the wireless microphone control knob (this function only for SE108W)

- 7 Adjust the Main Level Control for the final volume adjustment if the sound and volume sound are feeling match then the setting is completed

Battery light indication



When turning on the power, the LED light will turn green. When the battery light turn red please recharge the battery. It is able to use and recharge the SE108 at the same time.

Troubleshooting

Cannot be turned on.

- ◆ Please check if there is enough power in the battery. Is the power cord connected safely and firmly?

No sound

- ◆ Does the Power LED light up? Check whether the power is turned on or the power is enough in the battery.
- ◆ Is the power cord connected safely and firmly?
- ◆ Please check all the audio devices are functional well.

Sound is distorted or noise is produced

- ◆ Are the LEVEL controls of all relevant channels and / or the MASTER LEVEL control set too high?
- ◆ Is the MIC / LINE switch of the corresponding channel set to MIC? If the input level of the source is high, setting the MIC/LINE switch to MIC may result in distorted sound. Set the switch to LINE position in this case.
- ◆ Is the volume setting of the connected device too high? Lower the volume output setting of the external device.

Sound is not loud enough

- ◆ Are the LEVEL controls of all relevant channels and / or the MASTER LEVEL control set too low?
- ◆ Is the MIC / LINE switch of the corresponding channel set to LINE? Turn the LEVEL control to the minimum (zero). Set the switch to the MIC position. Then slowly raise the LEVEL control.
- ◆ Is the volume setting of the connected device too low? Raise the volume output setting of the external device.

The treble/bass level is not balanced.

- ◆ Are the equalizer controls raised or lowered too much? Set the equalizer controls to the center position. (default at the middle)

Battery Damage

If the unused of the battery or the other reason to cause the battery damage, please open the battery box at the back of the speaker cabinet to replace a new lead-acid battery (12V, 7.5Ah). Please note the position of the positive and negative contact when replace the battery.

*If any specific problem should persist, please contact with Supelrux dealer.